

REAL-EL **USER MANUAL**



**2.1 MULTIMEDIA
SPEAKER SYSTEM**

M-555

Congratulations on your purchase of the REAL-EL speaker system!

COPYRIGHT

© 2023. ENEL GROUP OU.

This Manual and information contained in are copyrighted. All rights reserved.

TRADEMARKS

All trademarks are the property of their legal holders.

CONTENTS

1. BUYER RECOMMENDATIONS	1
2. PACKAGE CONTENTS	2
3. SAFETY PRECAUTIONS	2
4. TECHNICAL DESCRIPTION	2
5. CONNECTION	5
6. OPERATION MODES.....	5
7. TROUBLESHOOTING	7
8. TECHNICAL SPECIFICATIONS	7

1. BUYER RECOMMENDATIONS

- Unpack the device carefully. Make sure there are no accessories left in the box. Check up the device for damage; if the product was damaged during transportation, address the firm, which carried out the delivery; if the product functions incorrectly, address the dealer at once.

- Check up the package contents and availability of the warranty card. Make sure the warranty card has a shop stamp, a legible signature or the seller's stamp and purchase date, and the goods number corresponds to that in the warranty card.

Remember: in case of warranty card loss or discrepancy of numbers you forfeit the right for warranty repairs.

- Do not switch on the speaker system immediately after you bring it into a room from environment with negative temperature! After unpacking, the speaker system should be kept in conditions of room temperature for at least 4 hours.

- Before installing and using the speaker system, read this Manual carefully and keep it for future reference.

2. PACKAGE CONTENTS

- Subwoofer – 1 pc
- Satellites – 2 pcs
- Remote control (RC) – 1 pc
- Signal cable – 1 pc
- Audio cables – 2 pcs
- AAA type batteries – 2 pcs
- Antenna wire – 1 pc
- Satellite wall-mounting set – 2 pcs
- User manual – 1 pc
- Warranty card – 1 pc

3. SAFETY PRECAUTIONS

- Do not open Multimedia Speaker System (MSS) and do not perform repairs by yourself. Service and repairs should be performed by qualified specialists in an authorized service center only. The list of authorized service centers is available at www.real-el.com
- Do not put foreign objects inside the holes of the MSS.
- Protect the MSS from high humidity, water and dust.
- Protect the MSS from heating: do not place it closer heat source. Do not expose it to direct sunlight.
- Do not place any open flame sources on or close to MSS.
- Do not use any chemical agents for cleaning. Clean it with dry soft cloth only.
- In case of MSS does not work properly, power cable must be disconnected. Please contact place of purchase or service center.

4. TECHNICAL DESCRIPTION

REAL-EL M-555 2.1 Multimedia Speaker System (MSS) is designed to play music and sound games, movies, etc. The MSS enabling to connect to virtual to any audio source (CD/DVD-player, TV, phone, PC, etc.) without using an additional power amplifier. The MSS has a built-in FM radio, Bluetooth module and audio files player USB flash, SD card.

Features

- Compatibility with various sound sources
- Wireless signal transmission via Bluetooth
- USB flash, SD card audio player
- FM radio
- Clock and sleep timer
- Two switched PC/AUX inputs
- Remote control
- Wall mounts of satellites
- Subwoofer and satellite – wood (MDF)

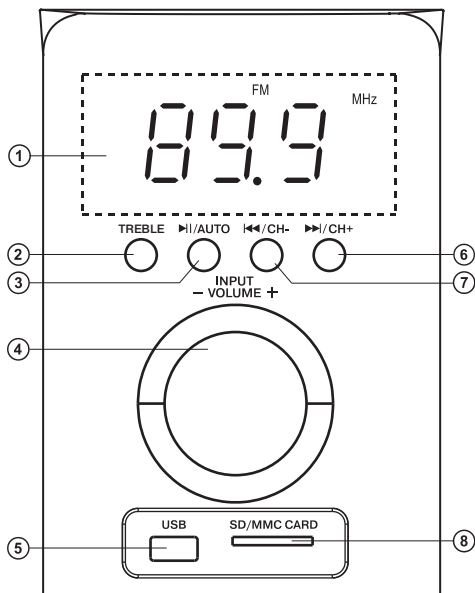


Fig. 1. Subwoofer control panel

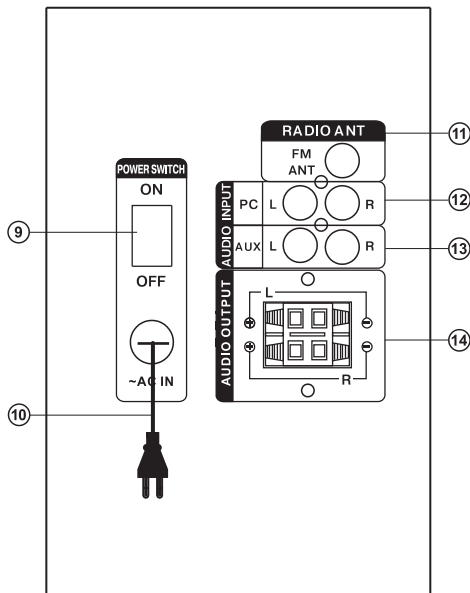


Fig. 2. Subwoofer rear panel

Subwoofer control panels:

- ① LED display.
- ② TREBLE: shift button of timbre control modes
- ③ ▶▶/AUTO: Play/Pause (pressed short in the Player mode); Start/Stop auto scan (pressed short in the Radio mode)
- ④ INPUT/VOLUME -/+ : the device switching on (the knob rotation to any side from OFF mode); The device switching off (the knob pressed long); Volume level control (the knob rotation to the right/left); Switching of inputs and Bluetooth/PC/AUX/FM/MP3 modes (the knob pressed short)
- ⑤ USB: port for a USB flash device *
- ⑥ ▶▶: next track (press shortly in the Player and Bluetooth mode); next station (press shortly the Radio mode);
- ⑦ ◀◀ : previous track (press shortly in the Player and Bluetooth mode); previous station (press shortly in the Radio mode);
- ⑧ SD/MMC: slot for SD/MMC cards

- ⑨ ON/OFF : power switch.
- ⑩ Power cord.
- ⑪ FM ANT: radio antenna input jack.
- ⑫ PC AUDIO INPUT: Jack to connect PC, mobile devices, and other audio sources.
- ⑬ AUX AUDIO INPUT: auxiliary audio input.
- ⑭ OUTPUT: satellites connection.

***Attention! USB output is for USB flash connection only!
Do not charge any device using this port otherwise it may be damaged!**

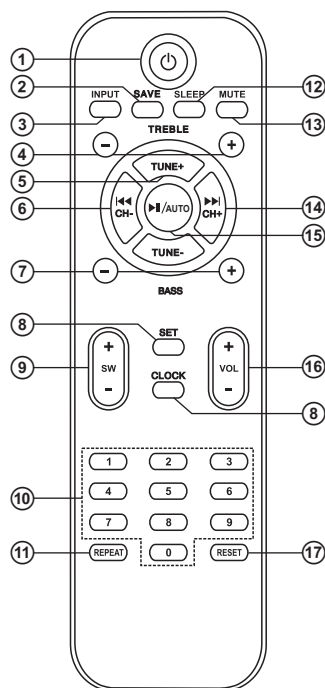


Fig. 3. Remote control

Remote control

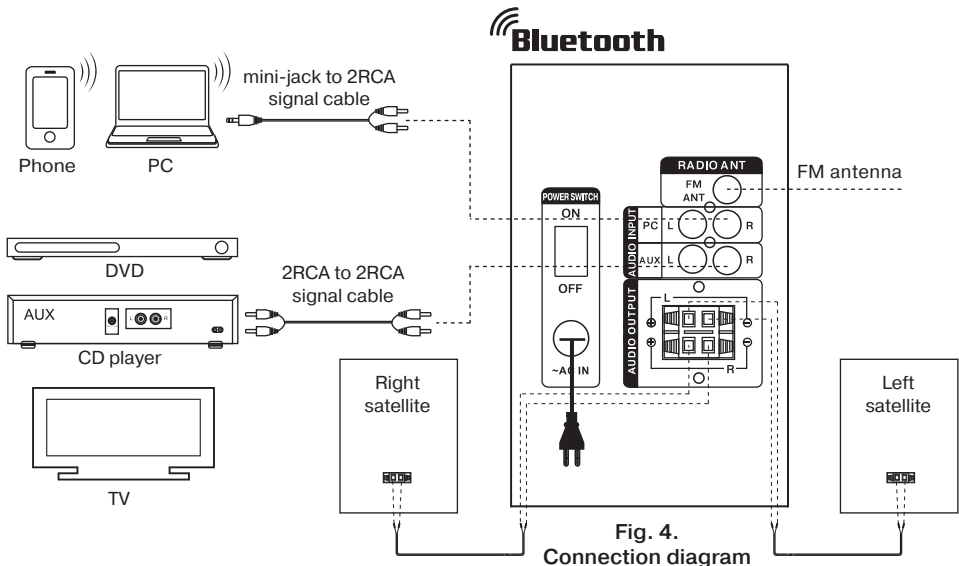
- ① : ON/OFF button
- ② SAVE: memorize selected frequency (in the Radio mode)
- ③ INPUT: switching modes button: Bluetooth/PC/AUX/FM/MP3
- ④ TREBLE-/+ : high frequency level adjustment
- ⑤ TUNE+/-: TUNE+/-: manual band scanning (in the Radio mode)
- ⑥ /CH- :previous track (pressed short in the Player mode); previous station (pressed short in the Radio mode)
- ⑦ BASS-/+ : bass level up/down
- ⑧ SET: current time setting
- ⑨ SW+/-: subwoofer level adjustment
- ⑩ 0-9: numeric pad for entering track number
- ⑪ REPEAT: a pressing once - repeat the current track; Press twice - repeat all tracks in sequence
- ⑫ SLEEP: setting the sleep timer
- ⑬ MUTE: MUTE: mute the volume
- ⑭ /CH+ : next track (pressed short in the Player mode); next station (pressed short in the Radio mode)
- ⑮ /AUTO : Play/Pause (pressed short in the Player mode); auto scan start/stop (pressed short in the Radio mode)
- ⑯ VOL -/+ : volume level control
- ⑰ CLOCK: current time display
- ⑱ RESET: reset settings

5. CONNECTION

Connection MSS

M-555 speaker system can be connected to most of audio devices: DVD/CD players, PCs, laptops, etc. (see connection diagram in Fig. 4).

- Before making any connections, make sure the MSS is off and unplugged. Then connect satellites to the subwoofer OUTPUT L/R jacks using built-in audio cables.



6. OPERATION MODES


Player Mode

- The system starts Player mode automatically when a storage (USB flash or SD/MMC card) is connected to corresponding ports; or press INPUT button on the front panel of the subwoofer or INPUT on the remote control. The playback will start automatically.
- To select a track, you can directly enter its number on the remote control using the numeric pad buttons.

AUX/PC Mode

- Press INPUT button on the front panel of the subwoofer or INPUT button on the remote control to switch to the AUX or PC mode. The display will show AUX or PC inscription.

MUTE Mode

- To enter the MUTE mode, press MUTE button on the remote control. To quit the MUTE mode press the MUTE button repeatedly or press one of the buttons VOL +/-  on the remote control

Bluetooth mode

- Select the Bluetooth mode using INPUT button on the front panel of the subwoofer or INPUT button on the remote control. After 2-3 seconds the speaker system starts the search mode.
- Activate Bluetooth search mode of your device (phone, notebook, smartphone, etc.). "M-555" will be displayed which should be connected to*.
- Indicator light continuously when connection is successful. If there is no connection, indicator will blink. In this case the system should be switched over to the search mode once again (turn off and turn on Bluetooth mode)**.

* You might have to enter "0000" code to connect some models via Bluetooth.

** If an item has been already registered in the device list of sources, then the second search mode activation is not needed. Choose only the item name and the "connect" command on the source.

FM Mode

- Use INPUT button on the front panel of the subwoofer or button INPUT on the remote control to enter the Tuner mode.
- Press and hold AUTO on the front panel of the subwoofer or on the remote control to auto scan the stations.
- If preset radio stations are available in the memory, you can switch from one to another by short pressing buttons ⑥ and ⑦ on the front panel of the subwoofer or buttons ⑥ and ⑭ on the remote control. You can also enter the frequency or the number of the preset station using numeric pad buttons ⑩ on the remote control.

Clock Mode

- When the MSS is in the ST-BY mode, the display shows the current time. When the system is in another mode, use the CLOCK button on the remote control to see the time. The current time will be displayed for 3-5 seconds.
- To set the current time, enter the ST-BY mode by pressing long INPUT button on the front panel of the subwoofer or button INPUT on the remote control. To enter the time setting mode, press SET button on the remote control (the corresponding position will start blinking on the display). Set the required value of hours and minutes directly from the remote control numeric pad or using buttons on the front panel of the subwoofer or on the remote control. To switch over between setting hours/minutes and to exit the setting mode, press SET button on the remote control.

ST-BY Mode

- To enter/exit this mode, press and hold down INPUT button on the front panel of the subwoofer or INPUT button on the remote control. The current time is shown on the display when entering this mode.

SLEEP Mode

- The SLEEP mode enables to switch over the device in the ST-BY mode after a lapse of time chosen by a user. Press button on the remote control to enter the SLEEP mode. To leave the SLEEP mode, press button SLEEP on the remote control once again, while there is "0" character on the display.

Note. Due to the constant development of the software, the actual MSS operation may differ from described in this Manual. The most recent version of the Manual is available at www.real-el.com

7. TROUBLESHOOTING

Problem	Cause	Solution
The MSS does not turn on.	The MSS isn't connected to a mains outlet.	Check the connection.
	The power switch is off.	Turn on the switch.
No sound or the sound is too quiet.	Volume level is set at minimum value.	Adjust the volume control knob.
	Improperly connected audio source.	Connect the audio sources correctly.
Distortion of sound.	Large amplitude of the input signal.	Turn down the source volume and the MSS volume.
The remote control is not working.	The batteries are discharged.	Replace the batteries with new ones.

If none of the above methods can solve the problem, please seek professional advice at your nearest service center. Never attempt to repair the product yourself.

8. SPECIFICATION

Parameter	Value
Output power (RMS) subwoofer satellites	55 (30 + 2 × 12.5) W 30 W 2 × 12.5 W
Frequency range subwoofer satellites	45 – 150 Hz 150 – 20 000 Hz
Speaker diameter: subwoofer satellites	Ø 134 mm Ø 37 + Ø 80 mm
Connection types	Bluetooth / AUX / USB / SD
Bluetooth operation distance	up to 10 m
Voltage supply	~ 230/50 V/Hz
Subwoofer dimensions	165 × 325 × 282 mm
Dimensions one satellite	104 × 180 × 92 mm
Case material	wooden (MDF)
Weight	6.2 kg

Notes:

- Technical specifications given in this table are supplemental information and cannot give occasion to claims.
- Technical specifications and package contents are subject to change without notice due to the improvement of REAL-EL production.



Manufacturer: ENEL GROUP OU, Harju maakond, Rae vald, Jüri alevik, Aruküla tee 55a, 75301, Estonia.
© Registered Trademark of ENEL GROUP OU. Estonia.